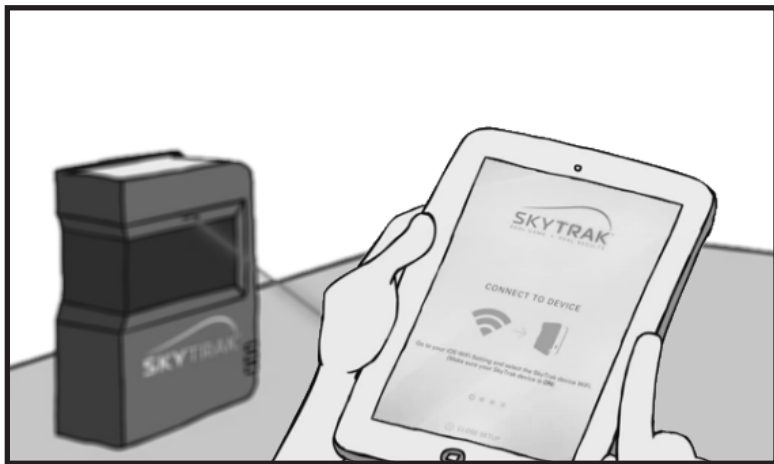




Connection Guide

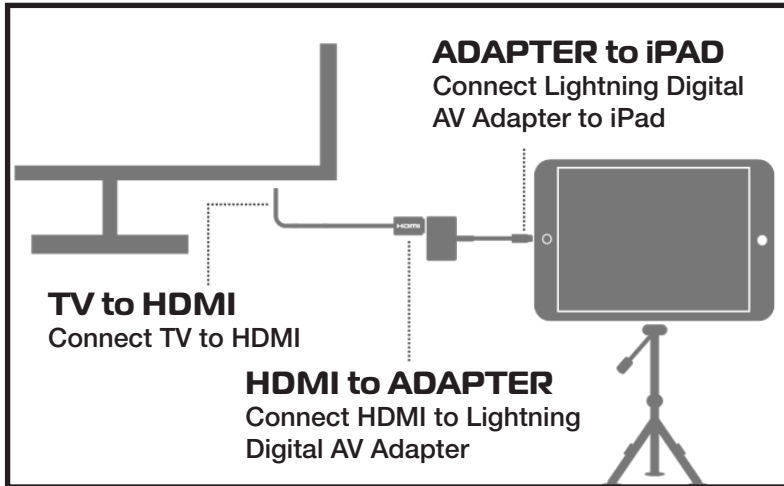


This simple guide helps explain how you can connect your iPad to a TV, monitor or projector, after installing the SkyTrak app on your iPad.

Option #1: Direct Connection

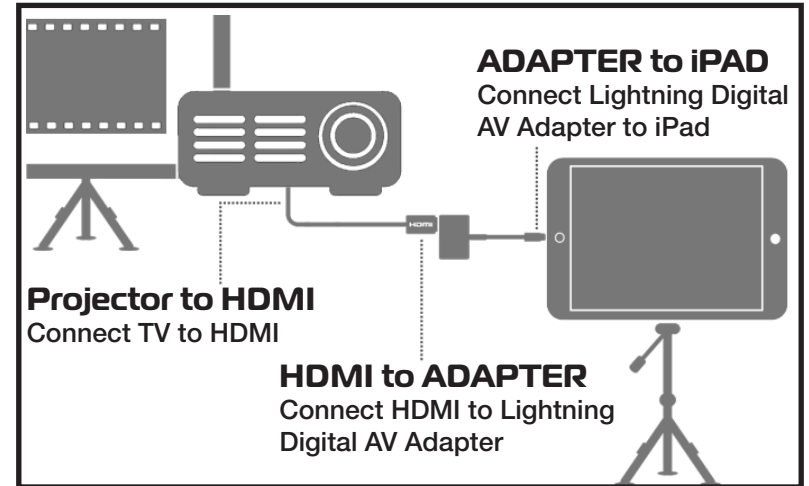
Use a Lightning Digital AV Adapter with HDMI cable to connect to your TV.

1. Connect the adapter to your iPad.
2. Connect the HDMI cable between the TV and the adapter.



Use a Lightning Digital AV Adapter with HDMI cable to connect to your projector.

1. Connect the adapter to your iPad.
2. Connect the HDMI cable between the projector and the adapter.



Option #2: AirPlay Connection

Use an Apple TV or another AirPlay-capable device.

1. On your iPad, swipe up to open the Control Center and choose AirPlay.
2. Select Apple TV and the iPad display will be mirrored on the TV.



TIP: For longer sessions, plug the Lightning charger into the adapter or directly into the iPad when using AirPlay.

